

# 2 PC. VEHICLE DOLLIES

## Model 32052

### ASSEMBLY AND OPERATING INSTRUCTIONS



Diagrams within this manual may not be drawn proportionally.

Due to continuing improvements, actual product may differ slightly from the product described herein.

**Distributed exclusively by Harbor Freight Tools®.**

3491 Mission Oaks Blvd., Camarillo, CA 93011

Visit our website at: <http://www.harborfreight.com>



**Read this material before using this product.  
Failure to do so can result in serious injury.  
SAVE THIS MANUAL.**

---

Copyright© 2002 by Harbor Freight Tools®. All rights reserved. No portion of this manual or any artwork contained herein may be reproduced in any shape or form without the express written consent of Harbor Freight Tools.

**For technical questions or replacement parts, please call 1-800-444-3353.**

## SPECIFICATIONS

Cast Iron Casters with Ball Bearing Swivels

Floor Clearance: 2-<sup>5</sup>/<sub>8</sub>"

Maximum Wheel Width: 14"

Maximum Weight Capacity: 1,000 Lbs.

## SAVE THIS INSTRUCTION MANUAL

You will need this instruction manual for the safety warnings and precautions, inspection, maintenance, and cleaning procedures. Keep your invoice with this instruction manual. Write the invoice number on the front page. Keep this instruction manual and invoice in a safe and dry location for future reference.

## UNPACKING

When unpacking, check to make sure the parts shown on this instruction manual are included. If any parts are missing or broken, please call Harbor Freight Tools at the telephone number shown on the front page of this manual.

## GENERAL SAFETY WARNINGS AND PRECAUTIONS

1. **KEEP WORK AREA CLEAN AND DRY.** Cluttered, damp or wet work areas invite injuries.
2. **USE EYE PROTECTION.** Wear ANSI approved safety impact eye glasses when using this product. ANSI approved safety impact eye glasses are available from Harbor Freight Tools.
3. **DO NOT ALLOW CHILDREN IN THE WORK AREA.** Keep away from children. Do not allow children to play with this product.
4. **CHECK FOR DAMAGED PARTS.** Before using this product, carefully check that it will operate properly and perform its intended function. Check for damaged parts and any other conditions that may affect the operation of this product. Replace or repair damaged or worn parts immediately.
5. **REPLACEMENT PARTS AND ACCESSORIES.** When servicing, use only identical replacement parts.
6. **MAINTAIN THIS PRODUCT WITH CARE.** Keep this product clean and dry for better performance.
7. **USE THE RIGHT PRODUCT FOR THE RIGHT JOB.** There are certain applications for which this product was designed. Do not use small equipment, tools or attachments to do the work of larger industrial equipment, tools or attachments. Do not use this product for a purpose for which it was not intended.
8. **PRIOR TO USING THIS PRODUCT, MAKE SURE TO READ AND UNDERSTAND ALL INSTRUCTIONS AND SAFETY PRECAUTIONS.**
9. **WARNING:** The warnings, cautions, and instructions discussed in this instruction manual cannot cover all possible conditions and situations that may occur. It must be understood by the operator that common sense and caution are factors which cannot be built into this product, but must be supplied by the operator.
10. Not to be used for aircraft purposes.

Use four of the Vehicle Dollies to efficiently maneuver a parked vehicle in tight spaces. Designed to fit most cars and lightweight trucks. A vehicle resting on four of the Vehicle Dollies can be pushed forward, backward and even sideways.



### WARNING

**Weight Capacity - 1,000 Lbs. per Vehicle Dolly.  
Do Not Exceed This Maximum Weight Capacity.**

## ASSEMBLY

1. Line up each Wheel Assembly (2) underneath the Dolly (1). From the top, insert a Bolt (3) through the Dolly (1) and Wheel Assembly (2).
2. Secure each Bolt (3) with a Nut (4). Use four Bolts (3) and four Nuts (4) per Wheel Assembly (2).
3. Once wheels are assembled, roll and inspect each dolly to ensure that the dollies are ready for use. **See parts List and assembly diagram on page 4.**

## OPERATION

1. **Only use the Vehicle Dollies on a flat, level surface that is capable of supporting the weight of the vehicle and dollies. Do not use the Vehicle Dolly on a surface with a slope such as a driveway. Verify that all of the Bolts (3) and Nuts (4) are tight before use.**
2. Never lift the vehicle without first ensuring that it is properly balanced on the jack. Serious property damage and personal injury can result from an improperly placed vehicle on the jack. Read both the vehicle and jack's owner's manual for proper jacking positions and instructions.

**⚠ WARNING** Vehicle's engine must be turned off and parking brake must be set before jacking up the vehicle. Keep spectators clear of the area. Never allow people in the vehicle while vehicle is being lifted or moved.

**⚠ CAUTION** **Never work underneath the vehicle while vehicle is resting on Vehicle Dollies.** After the vehicle is moved to its new location, always block the wheels of the Vehicle Dollies.

3. Block each of the back wheels of the vehicle to make sure the vehicle will not roll while the front wheels are being raised for the front Vehicle Dollies. Using a jack that is rated to lift the weight of the vehicle, lift the front end of the vehicle so that the tires are 5-<sup>3</sup>/<sub>4</sub>" off the floor. Position and center Vehicle Dollies under tires.

**CAUTION: Be aware of dynamic loading!** If you drop the vehicle onto the Vehicle Dolly, it may create for a brief instant, an excess load, which may result in damage to the Vehicle Dolly, vehicle and/or personal injury. Do not overload the Vehicle Dolly. Know the weight of the item being lifted. **Maximum weight capacity is 1,000 Lbs. per Vehicle Dolly.**

4. Lower vehicle slowly and carefully into the front two dollies. Note: Once the vehicle is resting on the front two vehicle dollies, block the wheels of the vehicle dollies to make sure the vehicle will not roll while the back wheels are being raised for the back Vehicle Dollies.
5. Lift the back of the vehicle in the same manner as described above. Position the rear two wheels on the Vehicle Dollies. Once the vehicle is resting in the four Vehicle Dollies, inspect each Vehicle Dolly to make sure each dolly is in good condition.
6. Remove all wheel blocks. You are now ready to move the vehicle. When moving vehicle, do so slowly and maintain control of the vehicle at all times. **Caution: Do not push the Vehicle Dollies on a surface with a slope, such as a driveway.** One person alone should not attempt to push the vehicle; always get assistance when moving the vehicle. Once the vehicle has been moved to the new location, block the Vehicle Dollies' wheels for safety.
7. To take the vehicle off of the Wheel Dollies, follow these steps: When removing Vehicle Dollies from the front of the vehicle; block the wheels of the back Vehicle Dollies to make sure the vehicle will not roll; use a jack rated to lift the weight of the vehicle. Lift the front end of the vehicle so that the tires clear the Vehicle Dollies. Remove the Vehicle Dollies, and carefully lower the vehicle using the jack. **⚠ WARNING** **Vehicle's engine must be turned off and parking brake must be set when raising or lowering the vehicle and whenever the vehicle is resting on the Vehicle Dollies.** (Continued on next page...)

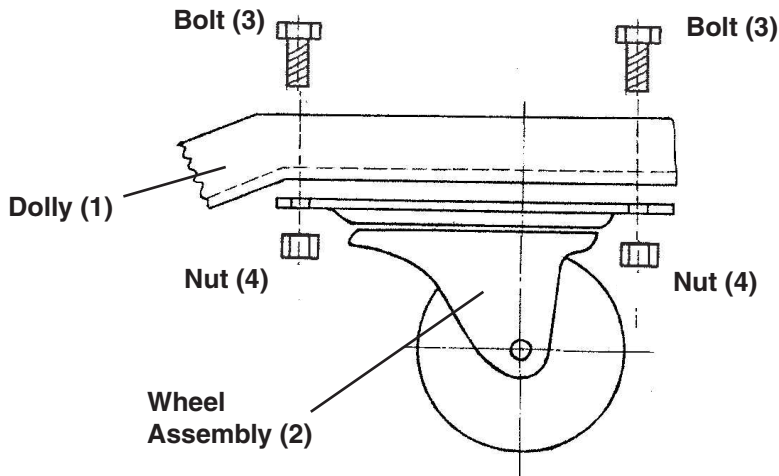
## OPERATION (CONTINUED)

8. To remove the back Vehicle Dollies: Block the front vehicle wheels, and use the jack to lift the rear of the vehicle. Lift the back end of the vehicle high enough so that the tires clear the Vehicle Dollies. Remove the Vehicle Dollies, and use the jack to carefully lower the vehicle.

## INSPECTION, MAINTENANCE, AND CLEANING

1. Before each use, inspect the general condition of the Vehicle Dolly. Check for cracking, bending, wheel damage, and any other condition that may affect safe operation. If a problem occurs with the Dolly, immediately discontinue its use; never use a damaged Vehicle Dolly.
2. Frequently lubricate all swivel bearings and axles.
3. To clean, wipe with a damp cloth. You may use a mild detergent.

## PARTS LIST AND ASSEMBLY DIAGRAM



Part	Description	Qty.*
1	Dolly	1
2	Wheel Assembly	4
3	Bolt	16
4	Nut	16

\*per dolly, 2 dollies included.

**NOTE:** Some parts are listed and shown for illustration purposes only and are not available individually as replacement parts.

### PLEASE READ THE FOLLOWING CAREFULLY

THE MANUFACTURER AND/OR DISTRIBUTOR HAS PROVIDED THE PARTS DIAGRAM IN THIS MANUAL AS A REFERENCE TOOL ONLY. NEITHER THE MANUFACTURER NOR DISTRIBUTOR MAKES ANY REPRESENTATION OR WARRANTY OF ANY KIND TO THE BUYER THAT HE OR SHE IS QUALIFIED TO MAKE ANY REPAIRS TO THE PRODUCT OR THAT HE OR SHE IS QUALIFIED TO REPLACE ANY PARTS OF THE PRODUCT. IN FACT, THE MANUFACTURER AND/OR DISTRIBUTOR EXPRESSLY STATES THAT ALL REPAIRS AND PARTS REPLACEMENTS SHOULD BE UNDERTAKEN BY CERTIFIED AND LICENSED TECHNICIANS AND NOT BY THE BUYER. THE BUYER ASSUMES ALL RISK AND LIABILITY ARISING OUT OF HIS OR HER REPAIRS TO THE ORIGINAL PRODUCT OR REPLACEMENT PARTS THERETO, OR ARISING OUT OF HIS OR HER INSTALLATION OF REPLACEMENT PARTS THERETO.