



Item #37510

# Trailer Dolly

**600 lb. capacity**

The Trailer Dolly is a very useful device for anyone who owns a small trailer. When used properly, the Trailer Dolly will help you to safely move a lightweight trailer over short distances. It is also valuable for maneuvering lightweight trailers in tight spaces.

The Trailer Dolly is easily assembled. Please review the parts listing and parts diagram below when putting the Trailer Dolly together. Make sure all parts shown below are included in the packaging box. If any parts are missing or if you have any questions about this product, please call Harbor Freight Tools at the telephone number shown on the next page.

**Please keep this instruction sheet along with the warranty card and your receipt for future reference.**

## Parts List

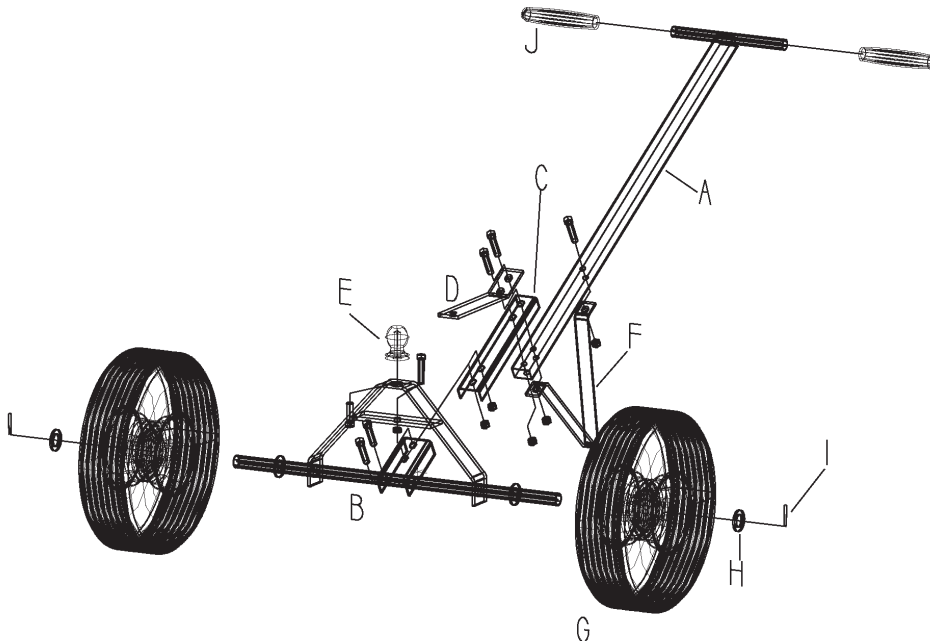
| Part # | Description   | Qty |
|--------|---------------|-----|
| A      | T-Bar Handle  | 1   |
| B      | Axle Assembly | 1   |
| C      | Handle Mount  | 1   |
| D      | Brace         | 1   |
| E      | Coupler Ball  | 1   |
| F      | Stand         | 1   |
| G      | Wheel         | 2   |
| H      | Washer        | 2   |
| I      | Cotter Pin    | 2   |
| J      | Rubber Grip   | 2   |

## Hardware

| Part # | Description   | Qty |
|--------|---------------|-----|
| 1      | M10 x 50 Bolt | 3   |
| 2      | M10 Nut       | 5   |
| 3      | Lock Washer   | 5   |
| 4      | M12 x 30 Bolt | 1   |
| 5      | M12 Nut       | 1   |
| 6      | Lock Washer   | 1   |
| 7      | M18 x 40 Bolt | 1   |
| 8      | Lock Washer   | 1   |
| 9      | Washer        | 1   |
| 10     | M10 x 20 Bolt | 2   |

**Before using the Trailer Dolly, please read the warnings on the reverse side of this page.**

Parts Diagram



# Warning:

1. Read and understand this instruction sheet completely before using the Trailer Dolly.
2. Design load limit is 600 lbs. for the Trailer Dolly alone, not including load supported by trailer wheels.
3. Always wear ANSI approved safety goggles when working with tools and equipment.
4. Always keep arms, feet, and legs, etc. out from under the trailer tongue while hitching, unhitching or moving the trailer. Children should always be keep at a safe distance.
5. Always make sure the loaded trailer is blocked properly while the Trailer Dolly is being moved into place.
6. Make sure the trailer tongue is securely connected to the Trailer Dolly coupler ball before attempting to un-block and move the trailer.
7. Take precautions to prevent uncontrolled movement of the trailer once it is connected to the Trailer Dolly. Remember, the slope of a roadbed surface is difficult to judge, and the pull of gravity can result in a dangerously out of control trailer.
8. If the Trailer Dolly is being connected to a trailer which is being stored over a lengthy period of time, make sure both the trailer and the Trailer Dolly are blocked properly.
9. Keep the Trailer Dolly clean and free of road dirt. Inspect the Trailer Dolly before each use to make sure all parts are securely in place and in working order. Periodically lubricate moving parts.

---

## LIMITED 90 DAY WARRANTY

---

Harbor Freight Tools Co. makes every effort to assure that its products meet high quality and durability standards, and warrants to the original purchaser that this product is free from defects in materials and workmanship for the period of 90 days from the date of purchase. This warranty does not apply to damage due directly or indirectly, to misuse, abuse, negligence or accidents, repairs or alterations outside our facilities, criminal activity, improper installation, normal wear and tear, or to lack of maintenance. We shall in no event be liable for death, injuries to persons or property, or for incidental, contingent, special or consequential damages arising from the use of our product. Some states do not allow the exclusion or limitation of incidental or consequential damages, so the above limitation of exclusion may not apply to you. THIS WARRANTY IS EXPRESSLY IN LIEU OF ALL OTHER WARRANTIES, EXPRESS OR IMPLIED, INCLUDING THE WARRANTIES OF MERCHANTABILITY AND FITNESS.

To take advantage of this warranty, the product or part must be returned to us with transportation charges prepaid. Proof of purchase date and an explanation of the complaint must accompany the merchandise. If our inspection verifies the defect, we will either repair or replace the product at our election or we may elect to refund the purchase price if we cannot readily and quickly provide you with a replacement. We will return repaired products at our expense, but if we determine there is no defect, or that the defect resulted from causes not within the scope of our warranty, then you must bear the cost of returning the product.

This warranty gives you specific legal rights and you may also have other rights which vary from state to state.

**3491 Mission Oaks Blvd. • PO Box 6009 • Camarillo, CA 93011 • (800) 444-3353**

Distributed exclusively by Harbor Freight Tools®.

3491 Mission Oaks Blvd., Camarillo, CA 93011

Copyright 1998 by Harbor Freight Tools®. All rights reserved. No portion of this manual or any artwork contained herein may be reproduced in any shape or form without the express written consent of Harbor Freight Tools.

**For technical questions and replacement parts, please call 1-800-444-3353**

REV 07c