

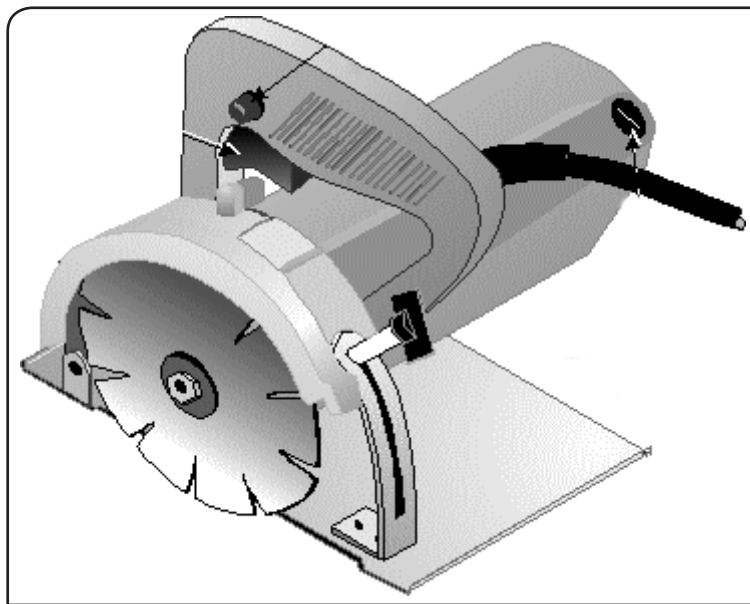
CHICAGO

Electric® Power Tools

4" DRY TILE SAW

Model 38941

ASSEMBLY AND OPERATION INSTRUCTIONS



Diamond Blade not included; sold separately.

Due to continuing improvements, actual product may differ slightly from the product described herein.

Distributed Exclusively by Harbor Freight Tools

3491 Mission Oaks Blvd., Camarillo, CA 93011

Visit our website at: <http://www.harborfreight.com>

**TO PREVENT SERIOUS INJURY, READ AND UNDERSTAND
ALL WARNINGS AND INSTRUCTIONS BEFORE USE.**

Copyright© 1998, 2006 by Harbor Freight Tools®. All rights reserved. No portion of this manual or any artwork contained herein may be reproduced in any shape or form without the express written consent of Harbor Freight Tools.

For technical questions or replacement parts, please call 1-800-444-3353.

REV 09e

SPECIFICATIONS

Motor	110 V~, 3.2 A (No Load)
RPM	10,525
Cutting Capacity	1-3/8"
Blade (sold separately)	4" Diameter x 5/8" Arbor
Overall Dimensions	9" x 7" x 7-3/4"
Overall Weight	7.6 lb.
Motor is double insulated	



The Tile Saw comes with an Arbor wrench and a T-Handle Wrench. A Blade is not included with the Tile Saw and must be purchased separately. Recommended saw blade is item #34441 - 4" Diamond blade-Dry type. Saw blades are available at Harbor Freight Tools.

Save This Manual

You will need this manual for the safety warnings and precautions, assembly, operating, inspection, maintenance and cleaning procedures, parts list and assembly diagram. Keep your invoice with this manual. Write the invoice number on the inside of the front cover. Write the product's serial number in the back of the manual near the assembly diagram, or write month and year of purchase if product has no number. Keep this manual and invoice in a safe and dry place for future reference.

Wet Cut Attachment

A Wet Cut Attachment (Item 38942) is also available through Harbor Freight Tools. This attachment is not included with the Dry Tile Saw.

If you have purchased the Wet Cut Attachment (#38942) please see the assembly and operating instructions for this attachment on page #8. Recommended blade when using the Wet Cut attachment is item #34310 - 4" Diamond blade-Wet type (Continuous Rim Design).

GENERAL SAFETY RULES



WARNING!

READ AND UNDERSTAND ALL INSTRUCTIONS
Failure to follow all instructions listed below may result in
electric shock, fire, and/or serious injury.
SAVE THESE INSTRUCTIONS

WORK AREA

1. **Keep your work area clean and well lit.** Cluttered benches and dark areas invite accidents.

2. **Do not operate power tools in explosive atmospheres, such as in the presence of flammable liquids, gases, or dust.** Power tools create sparks which may ignite the dust or fumes.
3. **Keep bystanders, children, and visitors away while operating a power tool.** Distractions can cause you to lose control. Protect others in the work area from debris such as chips and sparks. Provide barriers or shields as needed.

ELECTRICAL SAFETY

1. **Double insulated tools are equipped with a polarized plug (one blade is wider than the other). This plug will fit in a polarized outlet only one way. If the plug does not fit fully in the outlet, reverse the plug. If it still does not fit, contact a qualified electrician to install a polarized outlet. Do not change the plug in any way.** Double insulation eliminates the need for the three wire grounded power cord and grounded power supply system.
2. **Avoid body contact with grounded surfaces such as pipes, radiators, ranges, and refrigerators.** There is an increased risk of electric shock if your body is grounded.
3. **Do not expose power tools to rain or wet conditions.** Water entering a power tool will increase the risk of electric shock. Only use correct wet cut attachment for wet cutting.
4. **Do not abuse the Power Cord. Never use the Power Cord to carry the tools or pull the Plug from an outlet. Keep the Power Cord away from heat, oil, sharp edges, or moving parts. Replace damaged Power Cords immediately.** Damaged Power Cords increase the risk of electric shock.
5. **When operating a power tool outside, use an outdoor extension cord marked “W-A” or “W”.** These extension cords are rated for outdoor use, and reduce the risk of electric shock.

PERSONAL SAFETY

1. **Stay alert. Watch what you are doing, and use common sense when operating a power tool. Do not use a power tool while tired or under the influence of drugs, alcohol, or medication.** A moment of inattention while operating power tools may result in serious personal injury.
2. **Dress properly. Do not wear loose clothing or jewelry. Contain long hair. Keep your hair, clothing, and gloves away from moving parts.** Loose clothes, jewelry, or long hair can be caught in moving parts.
3. **Avoid accidental starting. Be sure the Power Switch is off before plugging in.** Carrying power tools with your finger on the Power Switch, or plugging in power tools with the Power Switch on, invites accidents.
4. **Remove adjusting keys or wrenches before turning the power tool on.** A wrench or a key that is left attached to a rotating part of the power tool may result in personal injury.

5. **Do not overreach. Keep proper footing and balance at all times.** Proper footing and balance enables better control of the power tool in unexpected situations.
6. **Use safety equipment. Always wear eye protection.** Dust mask, nonskid safety shoes, hard hat, or hearing protection must be used for appropriate conditions. Always wear ANSI-approved safety goggles and a dust mask/respirator when using or performing maintenance on this tool.

TOOL USE AND CARE

1. **Use clamps (not included) or other practical ways to secure and support the work-piece to a stable platform.** Holding the work by hand or against your body is unstable and may lead to loss of control.
2. **Do not force the tool. Use the correct tool for your application.** The correct tool will do the job better and safer at the rate for which it is designed. Do not force the tool and do not use the tool for a purpose for which it is not intended.
3. **Do not use the power tool if the Power Switch does not turn it on or off.** Any tool that cannot be controlled with the Power Switch is dangerous and must be replaced.
4. **Disconnect the Power Cord Plug from the power source before making any adjustments, changing accessories, or storing the tool.** Such preventive safety measures reduce the risk of starting the tool accidentally. **Always unplug the tool from its electrical outlet before performing any inspection, maintenance, or cleaning procedures.**
5. **Store idle tools out of reach of children and other untrained persons.** Tools are dangerous in the hands of untrained users.
6. **Maintain tools with care. Keep cutting tools sharp and clean.** Properly maintained tools with a sharp cutting edge are less likely to bind and are easier to control. Do not use a damaged tool. Tag damaged tools "Do not use" until repaired.
7. **Check for misalignment or binding of moving parts, breakage of parts, and any other condition that may affect the tool's operation. If damaged, have the tool serviced before using.** Many accidents are caused by poorly maintained tools.
8. **Use only accessories that are recommended by the manufacturer for your model.** Accessories that may be suitable for one tool may become hazardous when used on another tool.

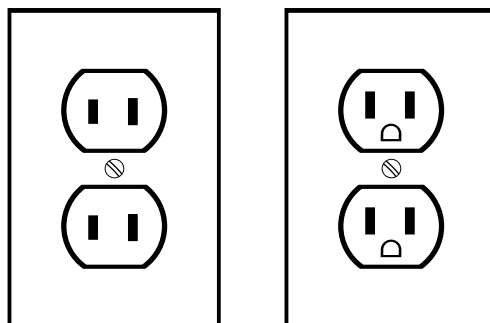
SERVICE

1. **Tool service must be performed only by qualified repair personnel.** Service or maintenance performed by unqualified personnel could result in a risk of injury.
2. **When servicing a tool, use only identical replacement parts. Follow instructions in the "Inspection, Maintenance, And Cleaning" section of this manual.** Use of unauthorized parts or failure to follow maintenance instructions may create a risk of electric shock or injury.

SPECIFIC SAFETY RULES

1. **Maintain labels and nameplates on the tool.** These carry important information. If unreadable or missing, contact Harbor Freight Tools for a replacement.
2. **Maintain a safe working environment.** Make sure there is adequate surrounding work-space. Do not use this product in a damp or wet location.
3. **Avoid unintentional starting.** Make sure you are prepared to begin work before turning on the tool.
4. **Always keep the extension cord away from moving parts on the tool.**
5. **People with pacemakers should consult their physician(s) before using this product.** Electromagnetic fields in close proximity to a heart pacemaker could cause interference to or failure of the pacemaker. In addition, people with pacemakers should adhere to the following:
 - Avoid operating power tools alone.
 - Don't use a power tool with the power switch locked on.
 - If powered via a power cord be certain that the tool is properly grounded. A ground fault interrupt (GFCI) system is also a good precaution. This inexpensive device is a good safety measure because it prevents a sustained electrical shock.
 - Properly maintain and inspect all tools before use to avoid electrical shock.
6. **Never leave the tool unattended when it is plugged into an electrical outlet.** Turn off the tool, and unplug it from its electrical outlet before leaving.
7. **WARNING: Some dust created by power sanding, sawing, grinding, drilling, and other construction activities, contains chemicals known [to the State of California] to cause cancer, birth defects or other reproductive harm.** Some examples of these chemicals are:
 - Lead from lead-based paints
 - Crystalline silica from bricks and cement or other masonry products
 - Arsenic and chromium from chemically treated lumberYour risk from these exposures varies, depending on how often you do this type of work. To reduce your exposure to these chemicals: work in a well ventilated area, and work with approved safety equipment, such as those dust masks that are specially designed to filter out microscopic particles. (California Health & Safety Code § 25249.5, *et seq.*)

GROUNDING



Outlets for 2-Prong Plug

DOUBLE INSULATED TOOLS: TOOLS WITH TWO PRONG PLUGS

1. Tools marked “Double Insulated” do not require grounding. They have a special double insulation system which satisfies OSHA requirements and complies with the applicable standards of Underwriters Laboratories, Inc., the Canadian Standard Association, and the National Electrical Code. **(See Outlets for 2-Prong Plug.)**
2. Double insulated tools may be used in either of the 120 volt outlets shown in the preceding illustration. **(See Outlets for 2-Prong Plug.)**

EXTENSION CORDS




1. **Double Insulated** tools can use either a two or three wire extension cord.
2. As the distance from the supply outlet increases, you must use a heavier gauge extension cord. Using extension cords with inadequately sized wire causes a serious drop in voltage, resulting in loss of power and possible tool damage. **(See Table A.)**
3. The smaller the gauge number of the wire, the greater the capacity of the cord. For example, a 14 gauge cord can carry a higher current than a 16 gauge cord. **(See Table A.)**
4. When using more than one extension cord to make up the total length, make sure each cord contains at least the minimum wire size required. **(See Table A.)**
5. If you are using one extension cord for more than one tool, add the nameplate amperes and use the sum to determine the required minimum cord size. **(See Table A.)**
6. If you are using an extension cord outdoors, make sure it is marked with the suffix “W-A” (“W” in Canada) to indicate it is acceptable for outdoor use.
7. Make sure your extension cord is properly wired and in good electrical condition. Always replace a damaged extension cord or have it repaired by a qualified electrician before using it.

8. Protect your extension cords from sharp objects, excessive heat, and damp or wet areas.

RECOMMENDED MINIMUM WIRE GAUGE FOR EXTENSION CORDS* (120 OR 240 VOLT)					
NAMEPLATE AMPERES (at full load)	EXTENSION CORD LENGTH				
	25 Feet	50 Feet	75 Feet	100 Feet	150 Feet
0 – 2.0	18	18	18	18	16
2.1 – 3.4	18	18	18	16	14
3.5 – 5.0	18	18	16	14	12
5.1 – 7.0	18	16	14	12	12
7.1 – 12.0	18	14	12	10	-
12.1 – 16.0	14	12	10	-	-
16.1 – 20.0	12	10	-	-	-

TABLE A * Based on limiting the line voltage drop to five volts at 150% of the rated amperes.

SYMBOLOLOGY

	Double Insulated
	Canadian Standards Association
	Underwriters Laboratories, Inc.
V~	Volts Alternating Current
A	Amperes
n ₀ xxxx/min.	No Load Revolutions per Minute (RPM)

Note: Performance of this tool may vary depending on variations in local line voltage. Extension cord usage may also affect tool performance.

UNPACKING

When unpacking your Tile Saw make sure that the item is intact and undamaged. If any parts are missing or broken, please call HARBOR FREIGHT TOOLS at 1-800-444-3353.

OPERATION

Installing and Removing the Cutting Blade

1. Your Tile Saw comes with an arbor wrench and a T-Handle socket wrench for use when installing or removing a Blade. When installing or removing a blade, always make sure the tool is OFF and unplugged.
2. **A Diamond Cutting Blade is not included with the Tile Saw and must be purchased separately.**
3. Turn the Tile Saw so that you are looking at the Blade wheel. Place the arbor wrench (58) on the Outside Flange (2) to hold the flange in place while using the socket wrench (59) to loosen the Hex Bolt. Remove the Blade by sliding it up and off of the Spindle (8). When mounting the blade, observe the rotation direction arrows, and slide the blade onto the Spindle making sure that it fits snugly. Refer to the Blade manufacturer's guidelines for specifications, proper use and warnings. With blade in place, hold Outside Flange in place while tightening the Hex Bolt.

Using the Saw

1. Grip the Handle (30) with your index finger on the trigger switch and depress the trigger switch to start the saw.
2. Apply firm and steady pressure to the Saw during use. **DO NOT FORCE SAW.**

Note: The Saw has a HOLD BUTTON to maintain constant speed and reduce fatigue. To lock this button into the ON position, depress the Trigger Switch then press the Hold Button and release pressure on the Trigger Switch. To RELEASE the HOLD BUTTON, lightly depress the Trigger Switch.

MAINTENANCE

1. Always keep the Saw clean. The ventilation passage should be kept clean and free from obstructions.
2. Replacing Carbon Brushes:
 - a. Replace the Carbon Brushes when they wear down to about 3/16" or sparking will occur. Always change both brushes (43) (upper and lower) at the same time.
 - b. Using a flat tip screwdriver, unscrew (counter-clockwise) the Brush Caps (Black plastic plug) (44) on the Enclosure (36). Remove them from the Brush Holders (42).
 - c. Replace the Carbon Brushes with identical replacement parts from Harbor Freight Tools. Insert the Brushes into the Brush Holder, and insert back into the Enclosure. Screw back in the Brush Cap and tighten.

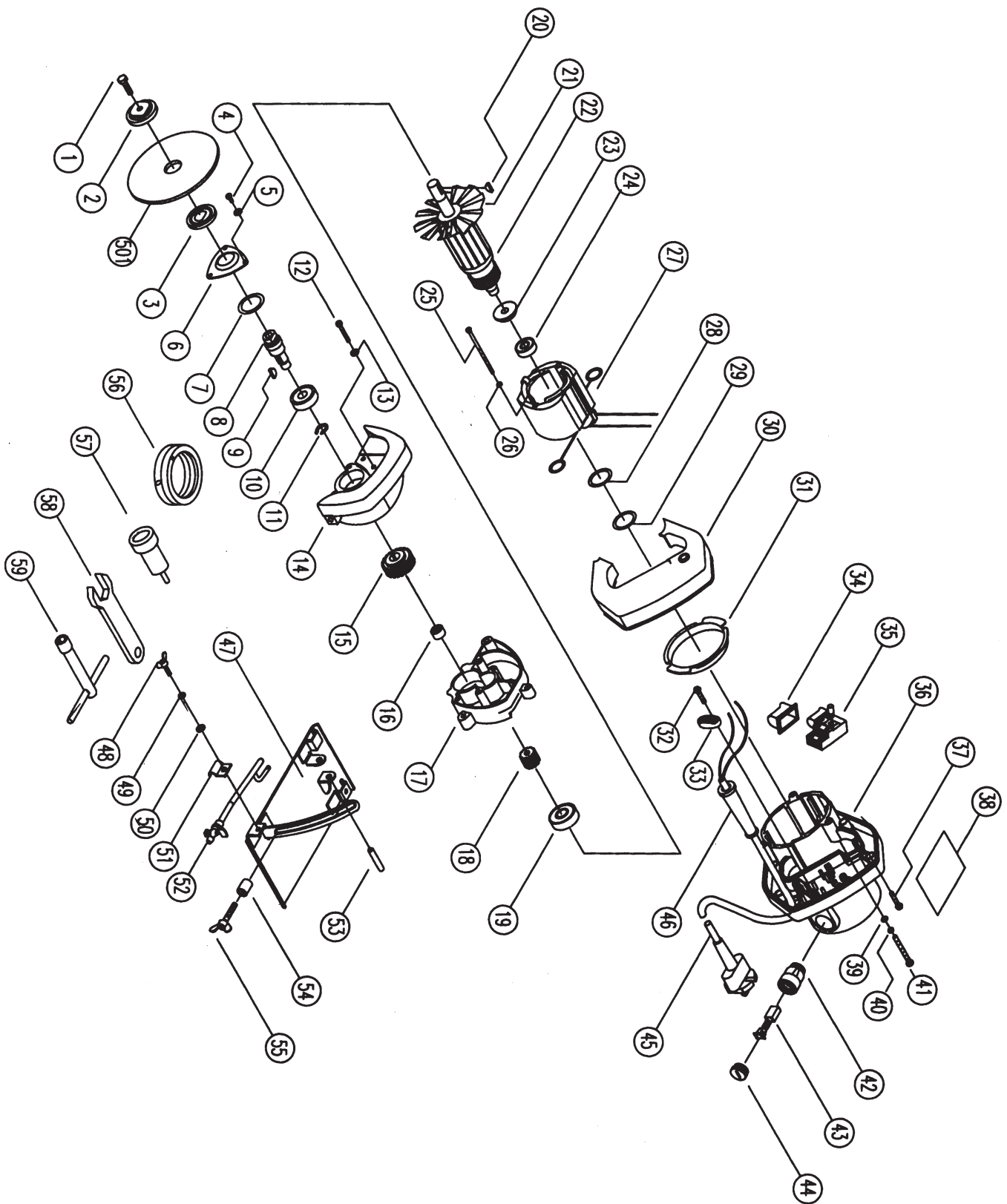
REV 09e

PARTS LIST

Part	Description	Quantity	Part	Description	Quantity
1	Hex Bolt	1	31	Air Guide	1
2	Outside Flange	1	32	Screw 4 x 16	1
3	Inside Flange	1	33	Cord Cup	1
4	Screw M4 x 8	3	34	Switch Sleeve	1
5	Elastic Washer 4	3	35	Switch	1
6	Bearing Cover	1	36	Enclosure	1
7	O Sealing Ring	1	37	Screw 4 x 20	4
8	Spindle	1	38	Nameplate	1
9	Woodruff Key 3 x 13	1	39	Washer 5	3
10	Bearing	1	40	Spring washer 5	3
11	Elastic Distance Ring	1	41	Screw M5 x 40	3
12	Screw M4 x 25	4	42	Brush holder	2
13	Elastic Washer -4	4	43	Brush	2
14	Gear Box Cover	1	44	Brush cap	2
15	No. 2 Gear	1	45	Cord	1
16	Needle Bearing	1	46	Cord armor	1
17	Middle Cover	1	47	Base	1
18	No. 1 Gear	1	48	Thumb bolt	1
19	Bearing	1	49	Spring washer	1
20	Woodruff Key 2.5 x 10	1	50	Washer	1
21	Fan	1	51	Clip	1
22	Armature	1	52	Water tube	1
23	Distance Ring	1	53	Elastic pin 6 x 30	1
24	Bearing	1	54	Distance ring	1
25	Screw 5x65	2	55	Thumb bolt	1
26	Spring Washer - 5	2	56	PVC tube	1
27	Stator	1	57	Adapter	1
28	Washer	1	58	Wrench	1
29	O Sealing Ring	1	59	Socket wrench	1
30	Handle Cover	1	501	Blade/ not included	0

PLEASE READ THE FOLLOWING CAREFULLY

THE MANUFACTURER AND/OR DISTRIBUTOR HAS PROVIDED THE PARTS LIST AND ASSEMBLY DIAGRAM IN THIS MANUAL AS A REFERENCE TOOL ONLY. NEITHER THE MANUFACTURER OR DISTRIBUTOR MAKES ANY REPRESENTATION OR WARRANTY OF ANY KIND TO THE BUYER THAT HE OR SHE IS QUALIFIED TO MAKE ANY REPAIRS TO THE PRODUCT, OR THAT HE OR SHE IS QUALIFIED TO REPLACE ANY PARTS OF THE PRODUCT. IN FACT, THE MANUFACTURER AND/OR DISTRIBUTOR EXPRESSLY STATES THAT ALL REPAIRS AND PARTS REPLACEMENTS SHOULD BE UNDERTAKEN BY CERTIFIED AND LICENSED TECHNICIANS, AND NOT BY THE BUYER. THE BUYER ASSUMES ALL RISK AND LIABILITY ARISING OUT OF HIS OR HER REPAIRS TO THE ORIGINAL PRODUCT OR REPLACEMENT PARTS THERETO, OR ARISING OUT OF HIS OR HER INSTALLATION OF REPLACEMENT PARTS THERETO.



Record Product's Serial Number Here: _____

Note: If product has no serial number, record month and year of purchase instead.

Note: Some parts are listed and shown for illustration purposes only, and are not available individually as replacement parts.

WET CUT ATTACHMENT (38942)

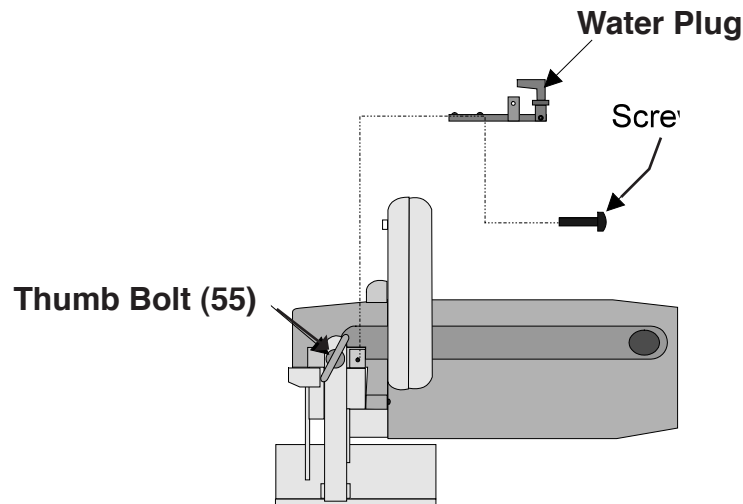
(Please order separately- not included with the 4" Dry Tile Saw)

The Wet Cut Attachment includes a 1/4" I.D. x 9.5 foot vinyl hose, water plug with screw and rubber connector

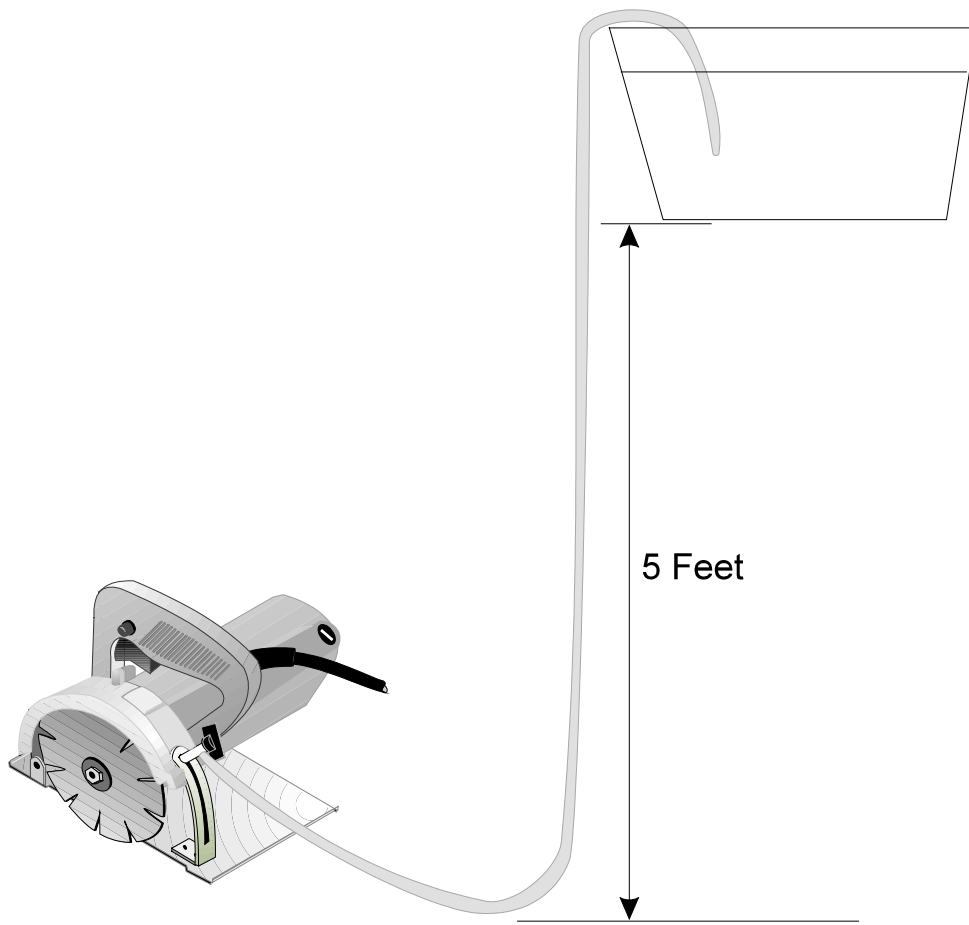
Assembly Instructions

Note: In step one (1) do not completely remove the Thumb Bolt.

1. Loosen the Thumb Bolt (55), lower the guide, and re-tighten the Thumb Bolt.
2. Attach the Water Plug to the Water Tube (52) using the screw.
3. Connect the HOSE to the Water Plug.
4. Attach the Rubber Connector to the other end of the HOSE and connect to a water supply. An additional adapter may be needed between the water source and the Rubber Connector. Water may also be fed to the unit by gravity feed when a water line is not assessable. See the Gravity Feed instructions on the next page.
5. Turn water valve on the Water Plug counterclockwise to open and clockwise to close.



**Figure 4 – Attaching the Water Supply Unit
(Tile Saw - Rear View)**



Warning: When using the Wet Cutting Attachment, extreme care must be taken to insure that the saw's electrical cord is positioned to remain dry and free from the water hose at all times. The operator must be aware that an extreme electrical hazard can occur if the cord, or the operator becomes wet while using this electric powered tool. Care and common sense must be used in planning a safe work area and in finding a safe location for the water bucket described below.

Gravity Feed Instructions

1. Place a large bucket of water on a stable platform at least five feet above the working area (see above).
2. Remove the hose from the Water Plug. Insert one end of the Hose into the bucket of water so that it is well under the top of the water level.
3. Suck on the other end of the Hose until water can be seen flowing down the hose. Reconnect the hose to the Water Plug.
4. Turn water valve counterclockwise to open and clockwise to close.

90 Day Warranty

Harbor Freight Tools Co. makes every effort to assure that its products meet high quality and durability standards, and warrants to the original purchaser that this product is free from defects in materials and workmanship for the period of 90 days from the date of purchase. This warranty does not apply to damage due directly or indirectly, to misuse, abuse, negligence or accidents, repairs or alterations outside our facilities, criminal activity, improper installation, normal wear and tear, or to lack of maintenance. We shall in no event be liable for death, injuries to persons or property, or for incidental, contingent, special or consequential damages arising from the use of our product. Some states do not allow the exclusion or limitation of incidental or consequential damages, so the above limitation of exclusion may not apply to you. THIS WARRANTY IS EXPRESSLY IN LIEU OF ALL OTHER WARRANTIES, EXPRESS OR IMPLIED, INCLUDING THE WARRANTIES OF MERCHANTABILITY AND FITNESS.

To take advantage of this warranty, the product or part must be returned to us with transportation charges prepaid. Proof of purchase date and an explanation of the complaint must accompany the merchandise. If our inspection verifies the defect, we will either repair or replace the product at our election or we may elect to refund the purchase price if we cannot readily and quickly provide you with a replacement. We will return repaired products at our expense, but if we determine there is no defect, or that the defect resulted from causes not within the scope of our warranty, then you must bear the cost of returning the product.

This warranty gives you specific legal rights and you may also have other rights which vary from state to state.

3491 Mission Oaks Blvd. • PO Box 6009 • Camarillo, CA 93011 • (800) 444-3353