

BARREL PUMP

Model 45743

ASSEMBLY AND OPERATING INSTRUCTIONS



3491 Mission Oaks Blvd., Camarillo, CA 93011

Visit our Web site at <http://www.harborfreight.com>

Copyright © 2001 by Harbor Freight Tools®. All rights reserved. No portion of this manual or any artwork contained herein may be reproduced in any shape or form without the express written consent of Harbor Freight Tools.

For technical questions and replacement parts, please call 1-800-444-3353

Specifications

| | |
|----------------|-------------|
| Inlet Size | 1" NPT |
| Outlet Size | 3/4" NPT |
| Discharge Pipe | 1" Diameter |
| Dimensions | 49-1/4" H |

Note: This pump is suitable for transferring non-corrosive petroleum based fluids, and light oils. Never use with gasoline, kerosene, acids, alkaline solutions, trichlene, perchlene, thinner or water. Never pump used, dirty oil or fluid in this pump.

Save This Manual

You will need the manual for the safety warnings and precautions, assembly instructions, operating and maintenance procedures, parts list and diagram. Keep your invoice with this manual. Write the invoice number on the inside of the front cover. Keep the manual and invoice in a safe and dry place for future reference.

Safety Warnings and Precautions

WARNING: When using tool, basic safety precautions should always be followed to reduce the risk of personal injury and damage to equipment.

Read all instructions before using this product!

1. **Avoid working alone.** If an accident happens, an assistant can bring help.
2. **Keep work area clean.** Cluttered areas invite injuries.
3. **Observe work area conditions.** Don't expose to rain. Keep work area well lighted.
4. **Keep children away.** Children must never be allowed in the work area. Do not let them handle Barrel Pump.
5. **Store idle equipment.** When not in use, Barrel Pump must be stored in a dry location to inhibit rust. Always lock up tools and keep out of reach of children.
6. **Dress properly.** Do not wear loose clothing or jewelry as they can be caught in moving parts. Protective, electrically nonconductive clothes and nonskid footwear are recommended when working. Wear restrictive hair covering to contain long hair.
7. **Use eye protection.** Always wear ANSI approved impact safety goggles and face shield. Wear an ANSI approved respirator when working with fumes.
8. **Do not overreach.** Keep proper footing and balance at all times. Do not reach over Barrel Pump.
9. **Maintain tools with care.** Inspect Barrel Pump periodically. If damaged, have it repaired by an authorized technician.

10. **Use the right Barrel Pump for the job.** Do not attempt to force a small Barrel Pump to do the work of a larger industrial Barrel Pump. There are certain applications for which this Barrel Pump was designed. Do not modify this Barrel Pump and do not use this tool for a purpose for which it was not intended.
11. **Stay alert.** Watch what you are doing, use common sense. Do not operate Barrel Pump when you are tired.
12. **Check for damaged parts.** Before using Barrel Pump, any part that appears damaged should be carefully checked to determine that it will operate properly and perform its intended function. Check for alignment and binding of moving parts; any broken parts or mounting fixtures; and any other condition that may affect proper operation. Any part that is damaged should be properly repaired or replaced by a qualified technician.
13. **Replacement parts and accessories.** When servicing, use only identical replacement parts. Use of any other parts will void the warranty. Only use accessories intended for use with this tool. Approved accessories are available from Harbor Freight Tools.
14. **Do not operate Barrel Pump if under the influence of alcohol or drugs.** Read warning labels on prescriptions to determine if your judgment or reflexes are impaired while taking drugs. If there is any doubt, do not operate the tool.
15. **Maintenance.** For your safety, maintenance should be performed regularly by a qualified technician.

Note: This pump is suitable for transferring non-corrosive petroleum based fluids, and light oils. Never use with gasoline, kerosene, acids, alkaline solutions, trichlene, perchlene, thinner, etc. Never pump used, dirty oil or fluid in this pump.

Warning: The warnings, cautions, and instructions discussed in this instruction manual cannot cover all possible conditions and situations that may occur. It must be understood by the operator that common sense and caution are factors which cannot be built into this product, but must be supplied by the operator.

Unpacking

When unpacking, check to make sure the parts listed on page 5 are included. If any parts are missing or broken, please call Harbor Freight Tools at the number on the cover of this manual.

Assembly

Refer to the Assembly Drawing on page 6.

1. Slide the **Drum Adapter (#5)** on the longest section of the **Oil Pipeline (#4)**. Tighten the wing nut. Thread on the two shorter sections of the **Oil Pipeline (#4A, 4B)**. Thread the **Oil Absorbition(#6)** on to the bottom of the Oil Pipeline assembly.
2. Thread the Oil Pipeline assembly on to the **Pump Body (#2)**.
3. Thread the **Oil Outlet (#1)** on to the **Pump Body (#2)**.
4. Attach the **Handle (#3)** on to the shaft on the **Pump Body (#2)**. Once in place, tighten the bolt securely.

Operation

Warning!! Flammable Danger. Keep the Barrel Pump and fluids away from all ignitable sources and flammable materials.

1. To reach the bottom of a standard 55 gallon drum, slide the **Drum Adapter (#5)** all the way up to the top of the Oil Pipeline assembly .
2. Run the **Oil Outlet (#1)** hose into a container. If the hose isn't long enough, you can attach a longer hose (not included) with a hose clamp (not included).
3. Make sure the **Oil Absorbition (#6)** is submerged in the fuel or oil you are planning to transfer. Turn the **Handle (#3)** steadily and the liquid will begin to transfer.

Note: If the bottom of the 55 gallon drum has water or residue, you want to avoid running it through the pump. Adjust the wing nut on the **Drum Adapter (#5)** so that the **Oil Absorbition (#6)** raises above the water or residue.

Note: If you use a shorter drum, you can remove one or both of the bottom **Oil Pipelines (#4A, 4B)**. **This unit accomodates 30 and 55 gallon drums.**

4. When finished pumping, pump until the Barrel Pump runs dry. Remove the pump from the barrel and wipe it dry.

Maintenance

1. Periodically, use a light oil lubricant on the **Handle (#3)** assembly.
2. Keep **Oil Absorbition (#6)** and **Oil Outlet (#1)** clean of dirt or debris.
3. Wipe down unit after each use and store in a dry place.

Parts List

| Part No. | Description |
|----------|----------------|
| 1 | Oil Outlet |
| 2 | Pump Body |
| 3 | Handle |
| 4 | Oil Line |
| 4A, 4B | Oil Lines |
| 5 | Drum Adapter |
| 6 | Oil Absorbtion |

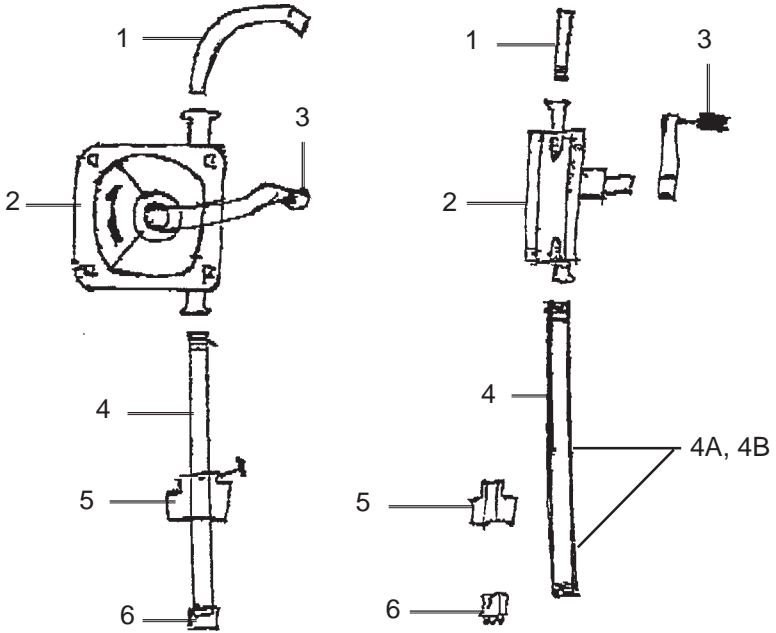
— See Note Below

Note: The Oil Line assembly is made up of three parts. Numbers 4, 4A, and 4B thread together. Parts 4A and 4B are the two shorter pieces of pipe (for re-ordering reference).

PLEASE READ THE FOLLOWING CAREFULLY

THE MANUFACTURER AND/OR DISTRIBUTOR HAS PROVIDED THE PARTS DIAGRAM IN THIS MANUAL AS A REFERENCE TOOL ONLY. NEITHER THE MANUFACTURER NOR DISTRIBUTOR MAKES ANY REPRESENTATION OR WARRANTY OF ANY KIND TO THE BUYER THAT HE OR SHE IS QUALIFIED TO MAKE ANY REPAIRS TO THE PRODUCT OR THAT HE OR SHE IS QUALIFIED TO REPLACE ANY PARTS OF THE PRODUCT. IN FACT, THE MANUFACTURER AND/OR DISTRIBUTOR EXPRESSLY STATES THAT ALL REPAIRS AND PARTS REPLACEMENTS SHOULD BE UNDERTAKEN BY CERTIFIED AND LICENSED TECHNICIANS AND NOT BY THE BUYER. THE BUYER ASSUMES ALL RISK AND LIABILITY ARISING OUT OF HIS OR HER REPAIRS TO THE ORIGINAL PRODUCT OR REPLACEMENT PARTS THERETO, OR ARISING OUT OF HIS OR HER INSTALLATION OF REPLACEMENT PARTS THERETO.

Assembly Drawing



NOTE: Some parts are listed and shown for illustration purposes only and are not available individually as replacement parts.